

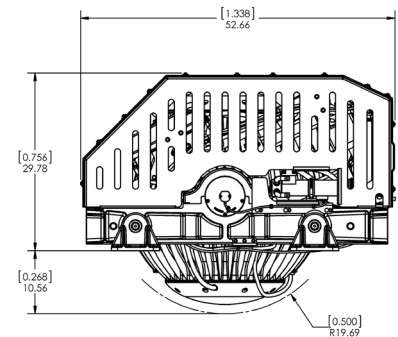
Designed to eliminate up to 95% of boat roll, the Seakeeper 26 is sized for vessels ~70' - 84', up to ~75 tons. Unlike traditional external fins, the Seakeeper 26 has no outside appendages, requires only modest electrical power, and can be installed virtually anywhere on board.



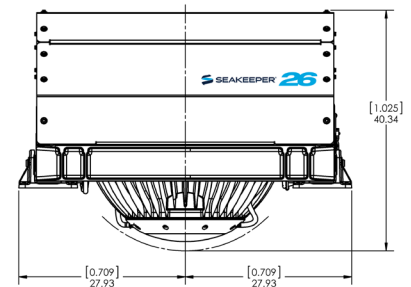
## TECH SPECS

<b>Rated Speed</b>	5,000 RPM
<b>Angular Momentum at Rated RPM</b>	26,000 N-M-S
<b>Max Anti-Rolling Torque at Rated RPM</b>	56,000 N-M
<b>Spool-up Time to Rated RPM</b>	90 minutes (5,000 RPM)
<b>Spool-up Time to Stabilization</b>	70 minutes (4,250 RPM)
<b>Spool-up Power</b>	
AC Motor	3000 Watts Max
DC Control	240 Watts
<b>Operating Power</b>	
AC Motor (sea state dependent)	1000 - 3000 Watts
DC Control	240 Watts
AC Input Voltage	208 - 230 VAC (+/-10%), 50/60 Hz, Single Phase
DC Input Voltage	24 VDC @ 10 Amps
<b>Sea Water Supply to Heat Exchanger</b>	30 LPM (8 GPM) Maximum 15 LPM (4 GPM) Minimum
<b>Ambient Air Temperature</b>	0° - 60° C (32° - 140° F)
<b>Weight</b>	2,960 lbs (1,342 kg) Bolt-in Installation
<b>Envelope Dimensions</b>	Length x Width x Height 52.7 L x 55.9 W x 40.4 H (Inches) 1.34 L x 1.42 W x 1.03 H (Meters)
<b>Noise Output</b>	At full operating RPM, steady state noise measured in the factory at a 1 meter distance measures 72 - 74 dBC. (Sound levels may be higher during spool-up)

## PORT VIEW



## FRONT VIEW



## TOP VIEW

